



SERVICE PARTS LIST

BULLETIN NO.
54-00-2570

SPECIFY CATALOG NO. AND SERIAL NO. WHEN ORDERING PARTS		REVISED BULLETIN	DATE
7 H.P. ALTERNATOR-3000 WATTS			July '80
CATALOG NO. 4618	STARTING SERIAL NO. H793 477202	WIRING INSTRUCTION	
		58-01-0967	

3600 R.P.M.

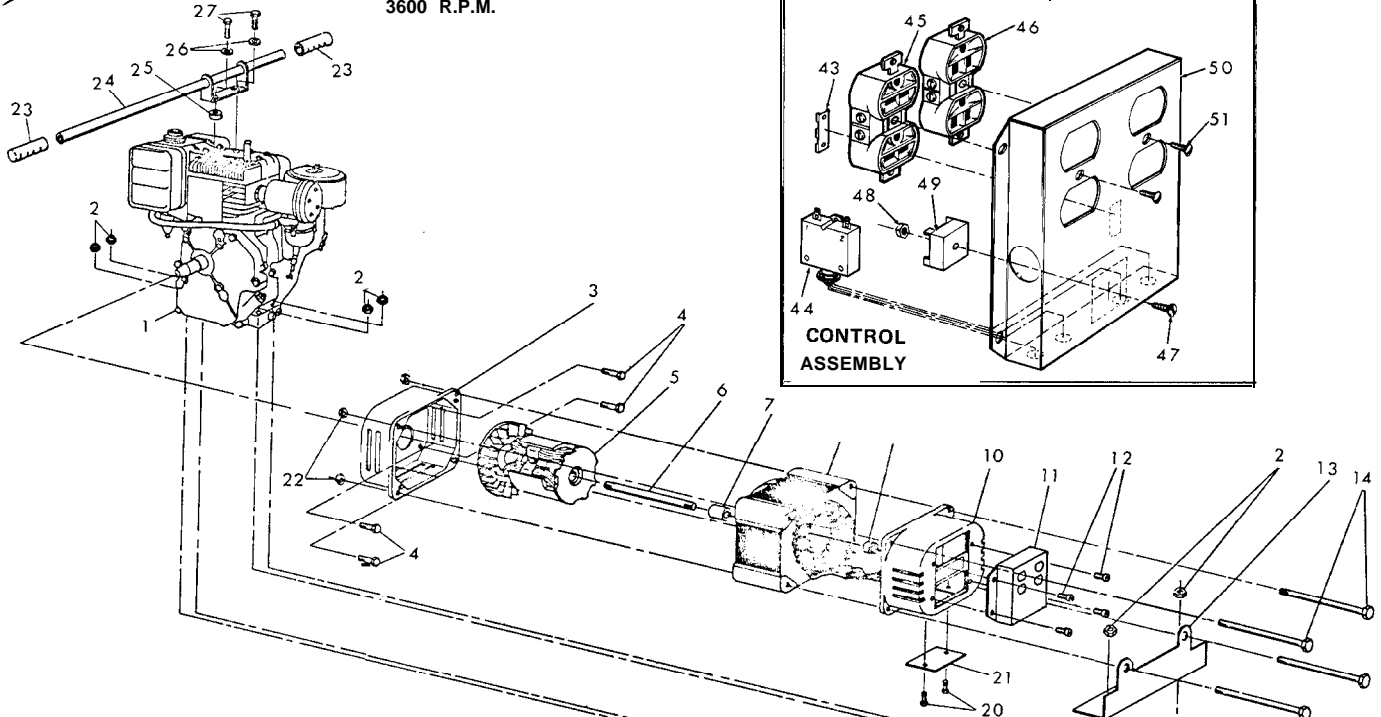


FIG. PART NO.	DESCRIPTION OF PART	NO. REQ.
1	7 H.P. Engine (For Components Refer to Engine Manufacturer)	(1)
2	06-55-1970 5/16-18 Hex Nut W/E.T. Lockwasher	(6)
3	42-04-3550 Generator Adapter	(1)
4	06-75-0498 3/8-16x7/8" Hex. Hd. Cap Screw W/I.T.	(4)
5	23-40-0500 Rotor (Includes 22-84-0730 Fan)	(1)
6	06-92-1 253 5/16x5.19" Stud	(1)
7	45-22-0370 Sleeve	(1)
8	23-58-0660 Stator	(1)
9	06-55-3780 Internal Wrenching Nut	(1)
10	End Bell	(1)
11	Receptacle Box	(1)
12	06-95-0310 10-32x3/8" Pan Hd. Screw	(4)
13	42-36-1 300 Generator Mounting Bracket	(1)
14	06-75-1 250 1/4-20x5" Hex. Hd. Cap Screw	(4)
15	06-75-0021 10-32x1/2" Hex. Hd. Cap Screw W/E.T.	(1)
16	23-74-0760 Ground Lug	(1)
17	42-20-0560 Mounting Channel	(2)
18	06-75-0302 5/16-18x3/4" Hex. Hd. Cap Screw W/E.T.	(2)
19	06-75-0338 5/16-18x1-3/4" Hex. Hd. CapScrew W/E.T.	(4)
20	06-75-2350 10-32x3/8" Hex. Hd. Capscrew	(2)
21	22-68-0160 Cover	(1)
22	06-55-1 505 1/4-20 Hex. Nut W/E.T. Lockwasher	(4)
23	43-62-0800 Handle Grip	(2)
24	43-62-0790 Carrying Handle	(1)
25	45-36-1 090 Handle Spacer	(1)
26	06-97-5710 E.I.T. Lockwasher	(2)
27	Engine Head Bolts	(4)
28	44-34-0130 Vibration Damper	(4)
29	45-88-7710 1-1/2 O.D. x1/4" Thick Washer	(4)
30	06-75-0297 5/16-18x1/2" Hex. Hd. Capscrew	(4)
31	02-50-4250 Roller Bearing	(1)
32	44-60-0580 Locking Pin	(4)
33	06-81-5670 6x3/8" Pan Hd. Tapping Screw	(4)
34	42-36-0990 Capacitor Mounting Bracket	(1)
35	22-33-0230 Capacitor	(1)
36	42-25-0340 End Bell	(1)
37	23-94-9690 3" Lead	(1)
	23-94-9695 3-1/4" Lead	(1)
38	22-20-0310 Brush Guide	(1)

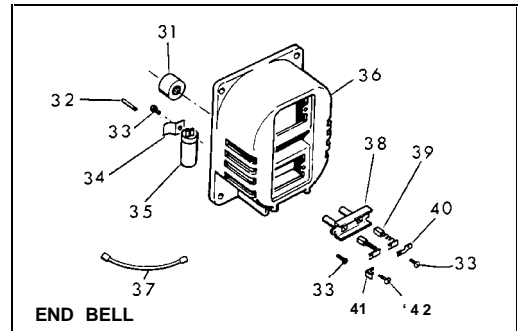
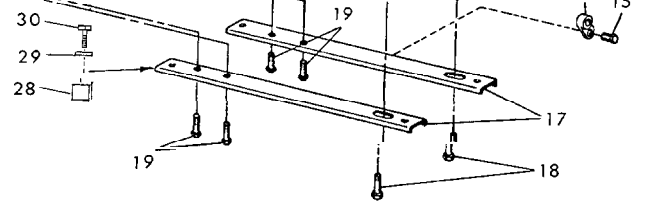


FIG. PART NO.	DESCRIPTION OF PART	NO. REQ.
39	22-1 8-0510 Carbon Brush	(2)
40	23-74-0770 Terminal Tab	(1)
41	23-74-0490 Terminal Tab	(1)
42	06-75-0014 No. 6x5/8" Hex. Hd. Capscrew	(1)
43	23-74-0580 3 Place Terminal	(1)
44	22-36-0 100 15 AMP Circuit Breaker	(4)
45	23-33-0400 240 V Duplex Receptacle	(1)
46	23-33-0370 120V Duplex Receptacle	(1)
47	06-81-5640 8-32x3/4" Pan Hd. Screw W/E.T. Lockwasher	(1)
48	06-55-0830 8-32 Hex. Nut	(1)
49	23-38-2781 Bridge Rectifier	(1)
50	22-1 2-0175 Receptacle Box	(1)
51	06-81-5477 6-32x3/8" Pan Hd. Screw W/E.T. Lockwasher	(2)

MILWAUKEE ELECTRIC TOOL CORPORATION
13135 W. LISBON RD., BROOKFIELD, WIS. 53005